

500M Long Range 2-Wire to PoE Extender Converter

Model: EA512P



Product Introduction

EA512P-TP network transmitter is a high-speed network transmission device, which can carry out long-distance transmission through any 2-wire cable, such as elevator accompanying cable, twisted pair, coaxial cable, etc., and the POE transmission distance is 500 meters (75-5 coaxial cable), the maximum physical layer rate can reach 240Mbps. Network signal and coaxial signal can be transmitted on one cable at the same time;

It can support remote power supply—power supply and signal co-cable transmission, which is convenient for construction and saves cost.

Support one-to-one and one-to-multi-point data transmission.

Product Features

- * Support POE over Coaxial/TP
- * High power POE (up to 30W, compliant with IEEE 802.3af/at standard)
- * Support multicast function
- * Transparent transmission, no need for software adjustment, no need to change the upper layer software
- * Built-in ESD protection circuit, which can effectively prevent electrostatic damage
- * Transmission distance up to 500 meters (75-5 coaxial line)
- * The maximum physical layer rate is 240Mbps
- * Low power consumption, strong anti-interference ability

Typical Application

- 1.Elevator network video surveillance.
- 2.Elevator swipe card control management system(elevator control).
- 3.Elevator network coverage.
- 4.Product equipment monitoring and management.
- 5.Industrial control.

Specifications

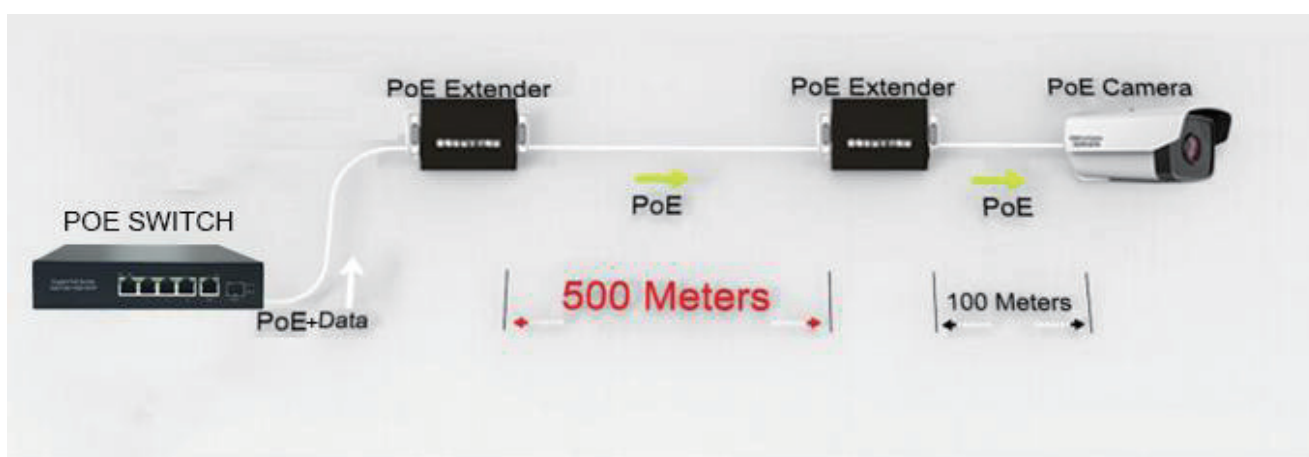
Type	Category	Parameter
Power	Input	DC48V~57V/1A or PoE in (only for PD)
	Output	PoE 44V~56V Max. 24W or 54W
Transfer	Transmission Medium	Coaxial cable,twisted pair,telephone line,RVV line
	Transmission distance (2×0.75 square millimeter RVV line)	500 M
	Maximum throughput	90Mbps
	Multicast	Support IGMP multicast protocol
Connector	Power input(DC_ IN)	2.1-5.5m DC socket
	Ethernet (data)	RJ45 (1,2 and 3,6)
	Twisted pair signal input and output (TP)	5.08mm×2 Screw type industrial terminal
	Ground wire	Shell ground
Indicator Line	Master	The indicator light ofthe host,it is on when the switch is turned to M,and it is off when the switch is turned to S (select the switch position before powering on)
	Link	The signal connection light is on when the TP signal is connected,and not on when the TP signal is not connected.
	Power	The power indicator light is always on after power on.

Appearance	RJ45 Green	Network communication indicator light flashes when communicating.
	RJ45 Yellow	POE indicator, on when POE open, flashing when overload or under-voltage.
	Size	94×71.4×26 mm
	Color	Black
	Net Weight	190g
Environment Requirement	Working Temperature	-20°C~55°C
	Humidity	0-95%
	Storage humidity	-40°C~85°C

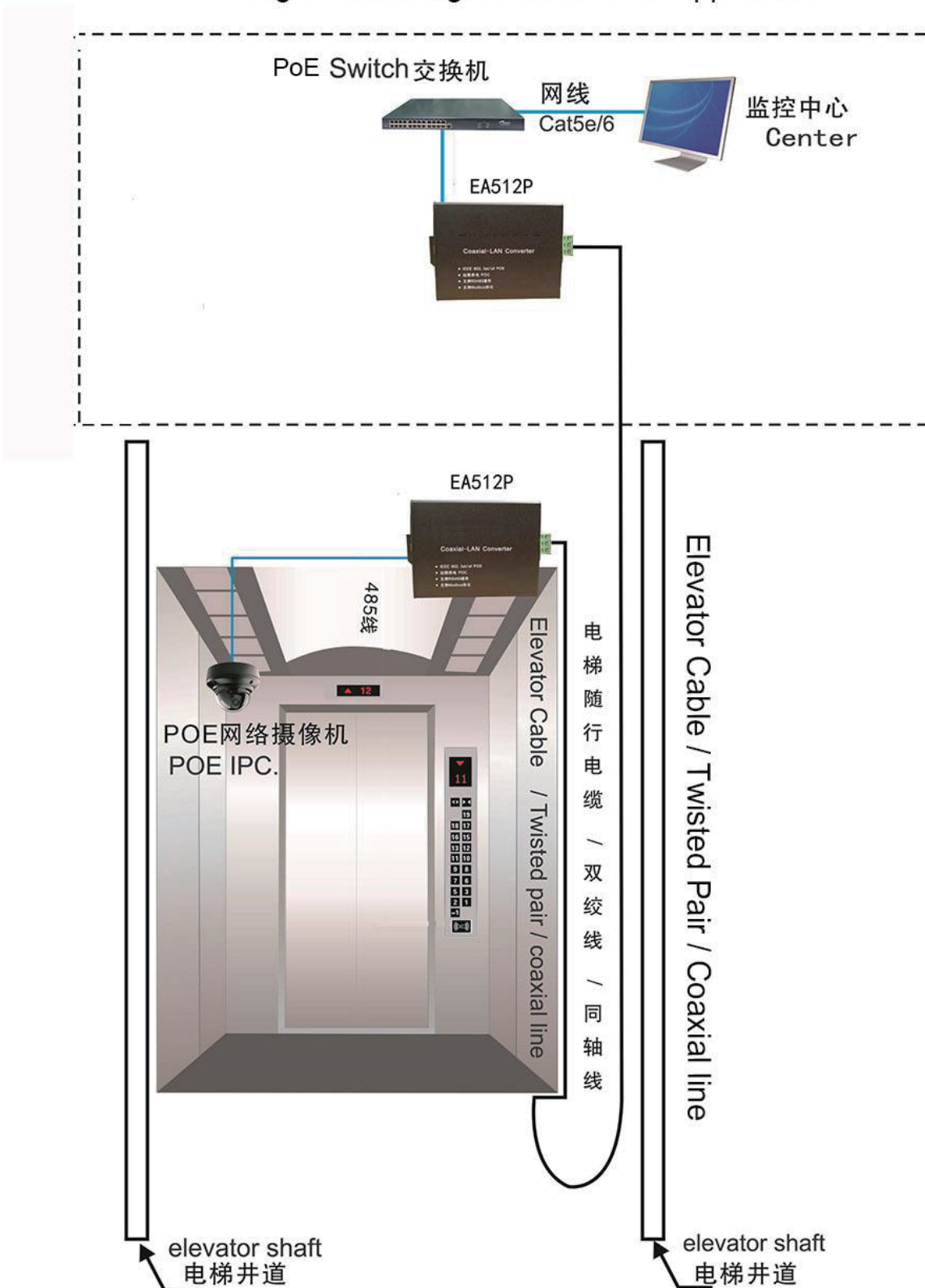
Distance and throughput (2×0.75 square millimeter national standard RVV line)

Distance(m)	1	300	600	900
Throughput(Mbps) Cat5 unshielded cable	89	89	68	50
Throughput(Mbps) Cat5 shielded cable	86	86	46	15

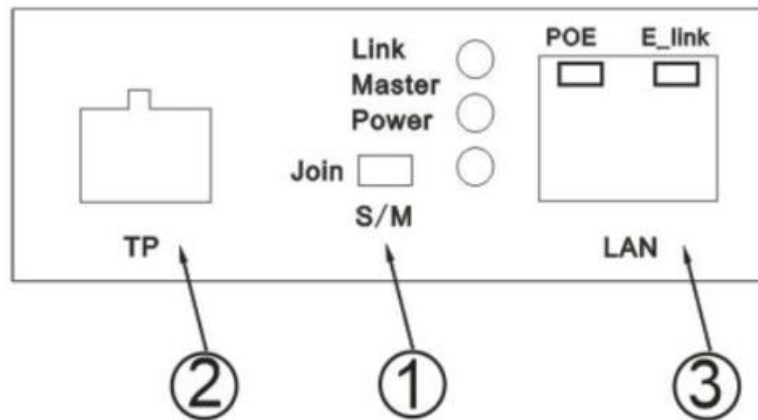
Connection Diagram



Digital Video signal Transmitter Application



Please follow the steps below to set up and wire:



As shown in the sequence number above:

① Master-slave selection: Before powering on, please set the transmitter as the master or slave through the DIP

switch, That is, switch to M for master, and S for slave.

It only needs to provide power input for the master, and the power for the slave is provided by the master. This

product needs to be used in pairs. Generally, the receiving end (local end) is set as the master, and the sending end

(remote) is set as the slave.

② Transmission line connection: TP terminal is a two-position industrial terminal block, bolt type joint, polarized

access, facing the terminal left positive and right negative.

③ Network cable connection: The local network port is connected to the back-end equipment, such as computers,

switches, and video recorders. Remote network port and front end connect to equipment, such as cameras, switches

or other network terminals. If the connected device is a non-POE device, an external power supply is required.

Warning: Please do not supply power to the master and slave at the same time.